

snorkel

PAM26

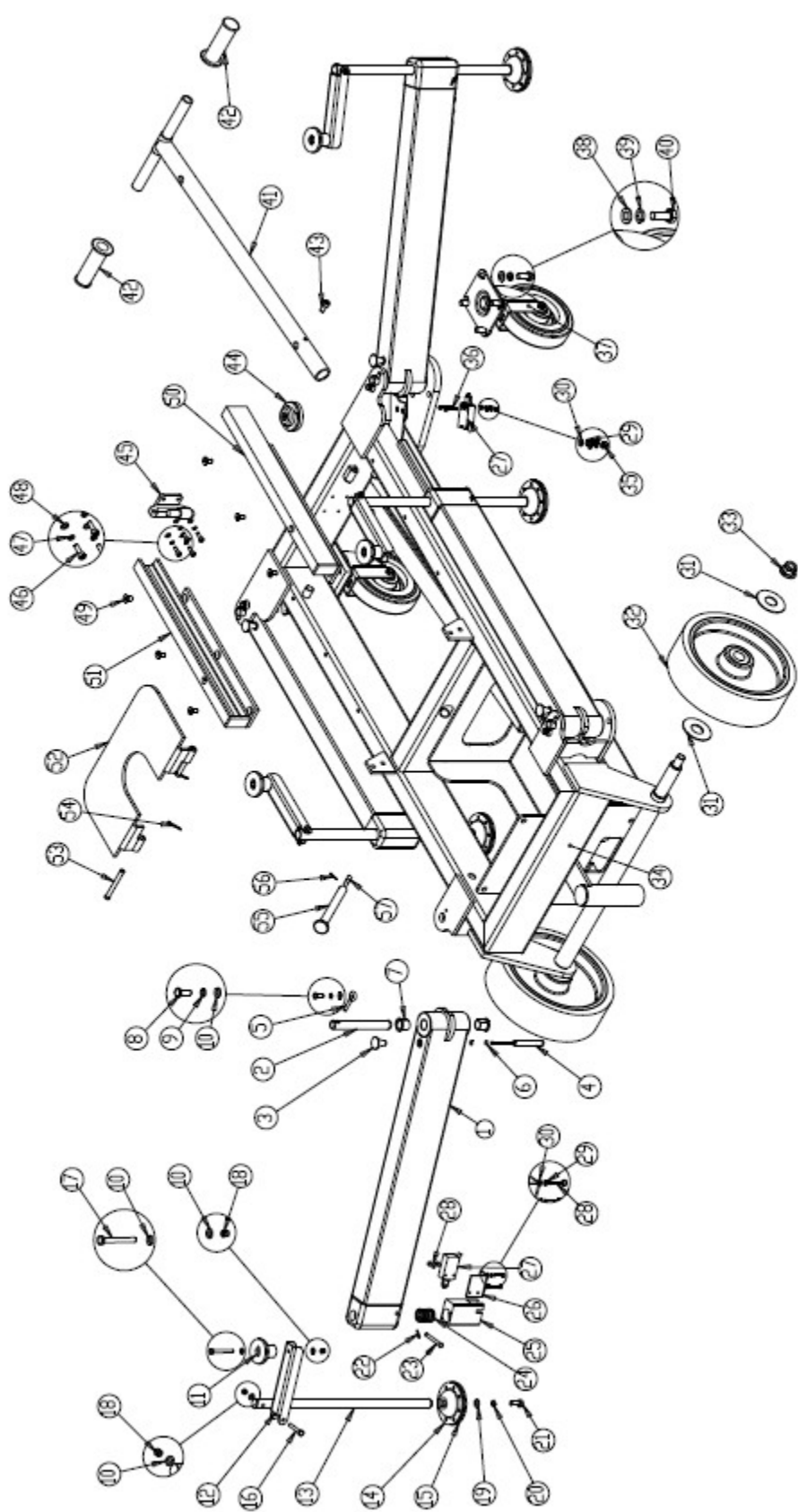


CE

PARTS MANUAL

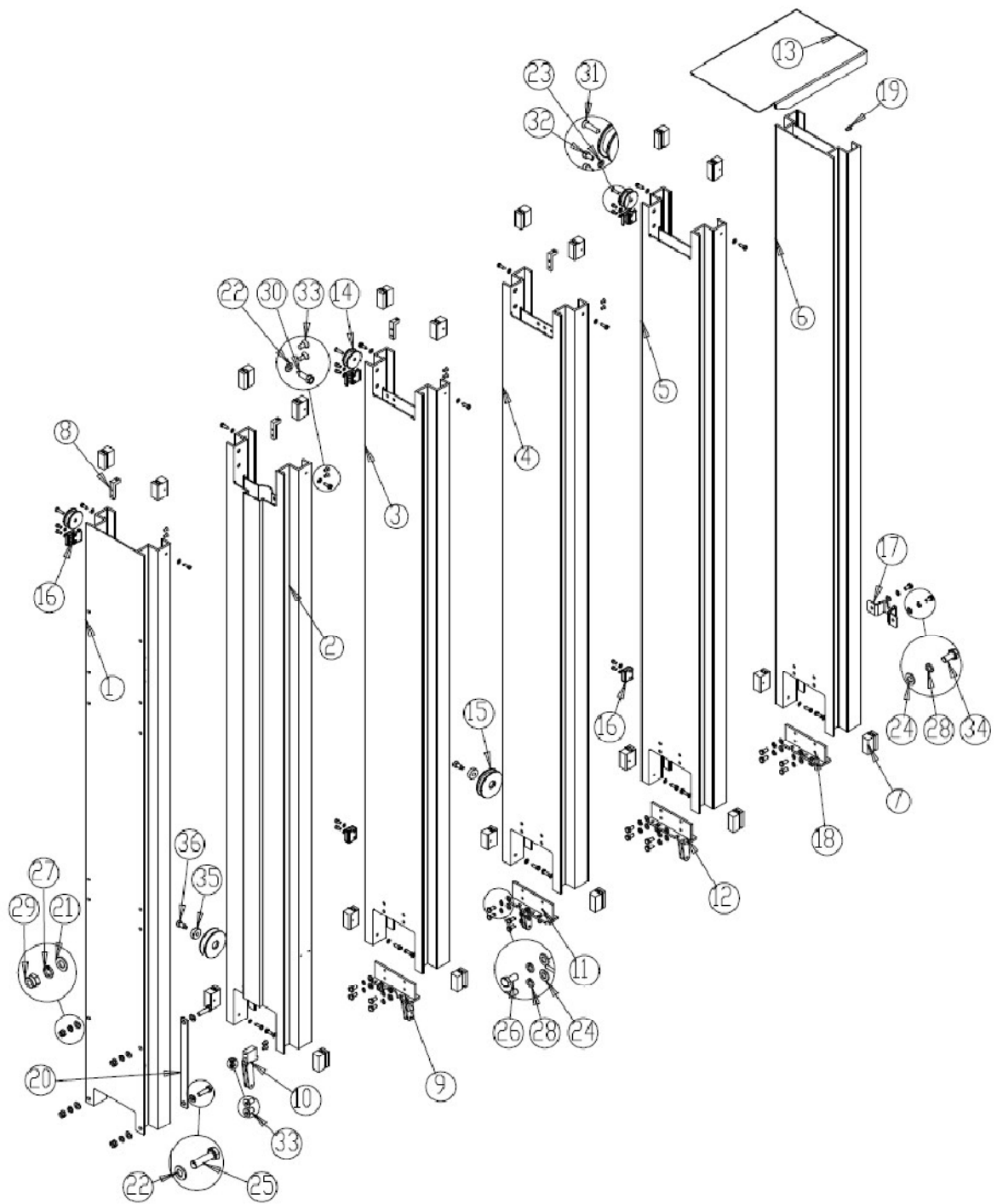
Part Number 511146-200
June 2014

Serial number 000001 and after



Spare parts For Chassis

No.	Part Number	Description	Quantity	Remark
1	513751-000	Turning leg	4	
2	13414	Leg axis	4	
3	13403-7	Handle	4	
4	513717-000	Leg position axis	4	
5	8628	Ear axis	4	
6	13403-6	Pin spring	4	
7	3626-17	FLANGE BUSHING SF-1F	8	
8	056058-016	Hex Bolt M6X16	4	
9	056021-006	Spring Washer M6	4	
10	056069-006	Flat Washer M6	16	
11	003508-000	Pull handle	4	
12	13409-6	Rocker	4	
13	13409-2	Foot screw	4	
14	13409-3	Foot palm	4	
15	13409-7	Rubber foot cushion	4	
16	056058-040	Hex Bolt M6X40X10	4	
17	500532-060	Counter Sunk Bolt M6X60X15	4	
18	056066-006	NYLOCK NUT M6	8	
19	056069-008	Flat Washer M8	4	
20	056021-008	Spring Washer M8	4	
21	058503-020	Socket Head Bolt M8	4	
22	060802-014	SPLIT PIN Φ 2x14	4	
23	060206-055	PIN Φ 6x55	4	
24	13409-5	Presser foot spring	4	
25	13409-4	Foot nut	4	
26	13403-9	Switch seat	4	
27	13400-002	Limit switch	8	
28	058500-018	Socket Head Bolt M4X18	16	
29	056021-004	Spring Washer M4	16	
30	056069-004	Flat Washer M4	16	
31	13402-27	Gasket	4	
32	13411	Impact Caster Wheel Φ 250X76	2	
33	056066-016	NYLOCK NUT M16	2	
34	13402	Base Weld	1	
35	056066-004	NYLOCK NUT M4	8	
36	058503-030	M4X30 Socket Head Bolt	8	



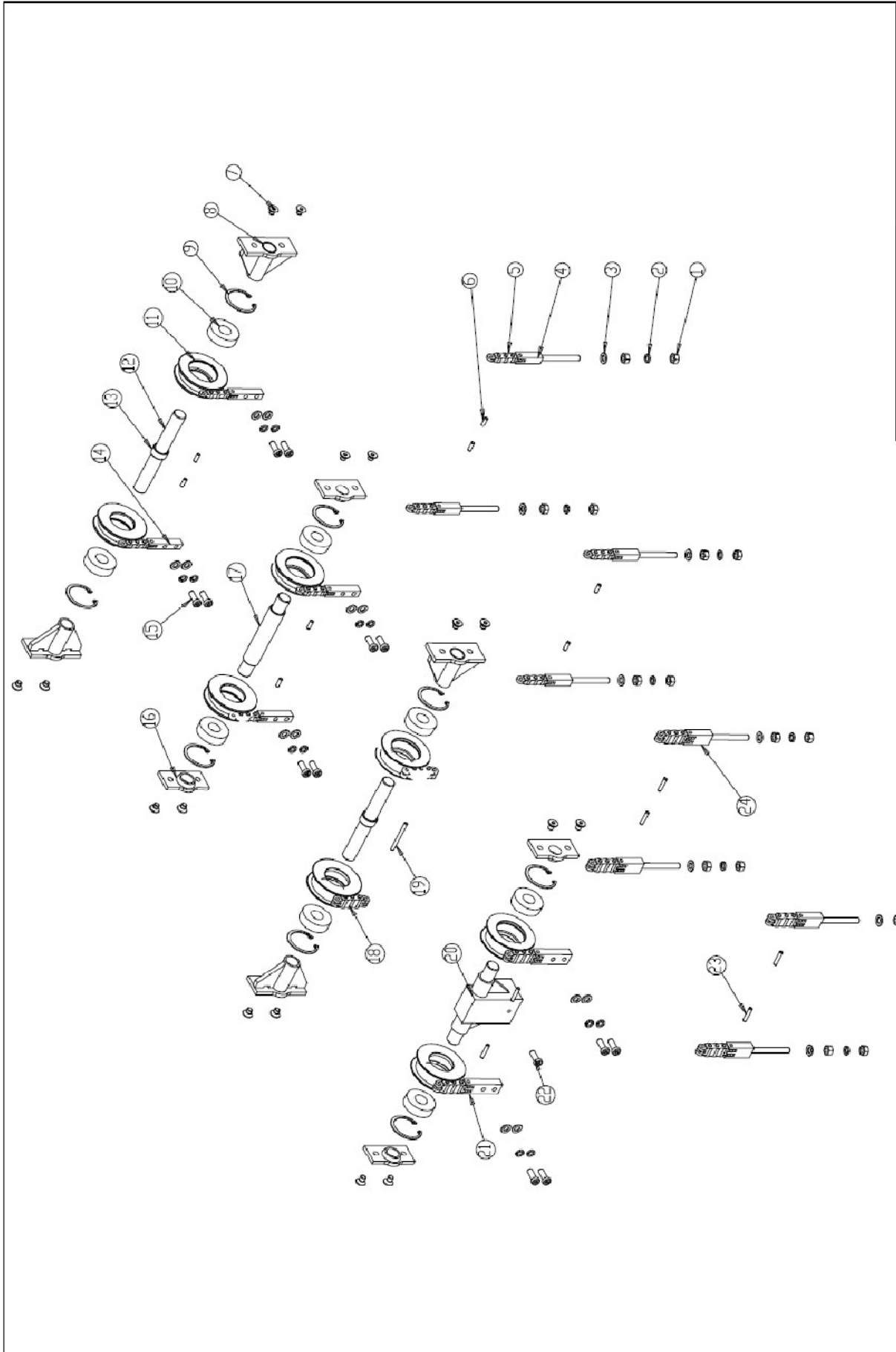
Mast

1:14

Spare parts For Masts

No.	Part Number	Description	Quantity	Remark
1	13404-1	1st Mast	1	
2	13404-2	2nd Mast	1	
3	514074-000	3rd Mast	1	
4	13404-4	4th Mast	1	
5	13404-5	5th Mast	1	
6	13404-6	6th Mast	1	
7	13404-7	Wear Pad Top	20	
8	13416	Rope Anchor	4	
9	514058-000	Sequence Anchor (cyl)	1	
10	13404-29	Sheave Anchor	1	
11	514059-000	Sequence Anchor (1)	1	
12	13404-25	Sequence Anchor (2)	1	
13	13419	top cover	1	
14	13434-1	Fixed wheel	3	
15	13434-2	Act wheel	2	
16	13434-4	wire holder	10	
17	13434-7	Fastener	1	
18	13404-31	Sequence Anchor (3)	1	
19	058502-016	Socket Head Bolt M6X16	1	
20	13420-11	plate5	2	
21	056069-010	Flat Washer M10	8	
22	056069-006	Flat Washer M6X1.0	20	
23	056069-005	Flat Washer M5	10	
24	056069-008	Flat Washer M8	18	
25	056060-030	Hex Bolt M10X30	4	
26	058503-015	Hex Bolt M8X15	16	
27	056069-010	Spring Washer M10	4	
28	056021-008	Spring Washer M8	18	
29	056066-010	NYLOCK NUT M10	4	
30	02176.3-026	S/T M6.3X26 Hex Screw	20	
31	500532-025	M6X25Counter Sunk Bolt	3	
32	058500-016	M4X16 Socket Head Bolt	10	
33	500532-012	M6X12Counter Sunk Bolt	12	
34	056059-012	M8X12 Hex Bolt	2	

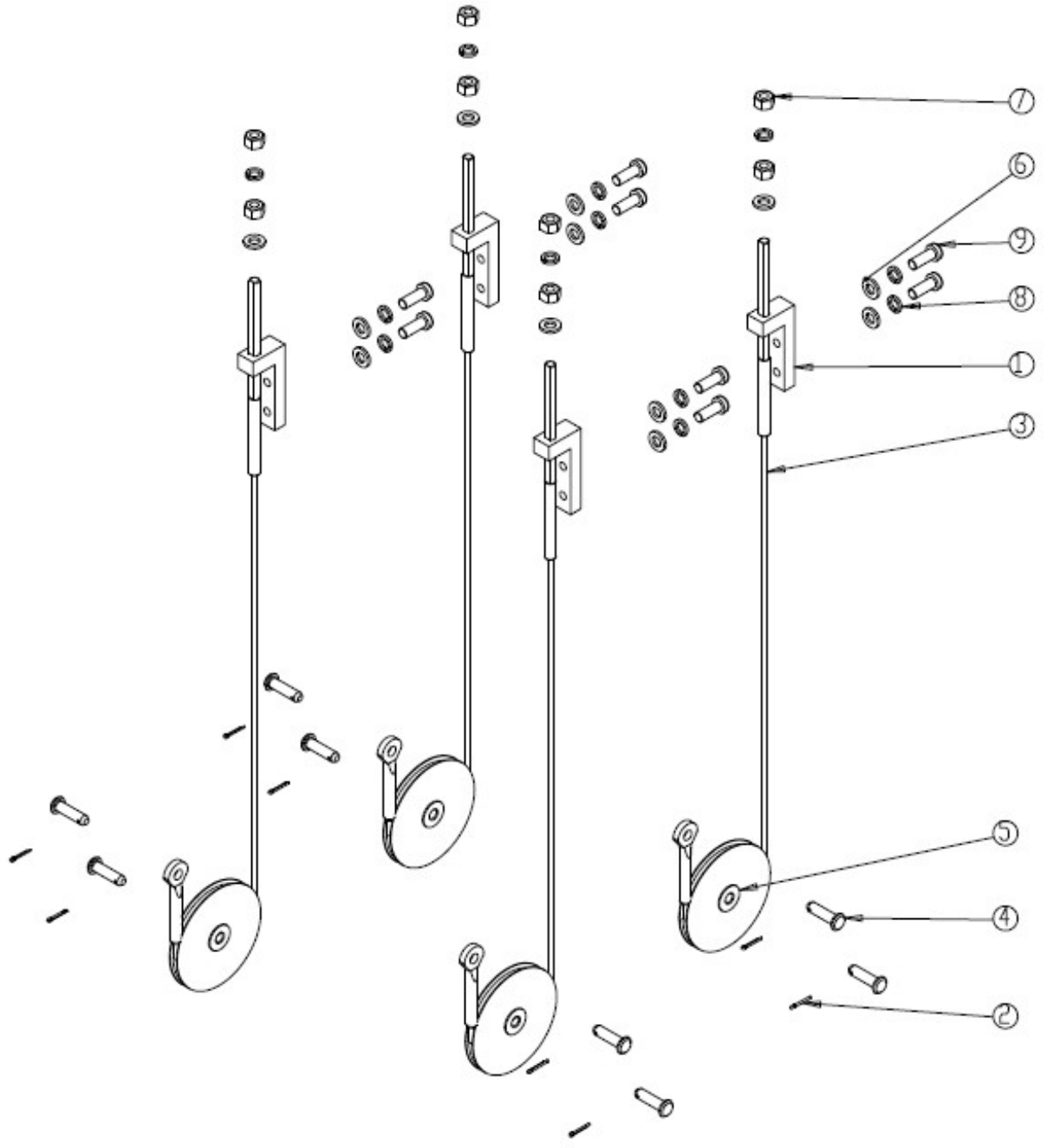
35	6200	6200 BRG	2	
36	13434-3	shoulder screw	2	



Chain Assembly
1:10

Spare parts For Chain

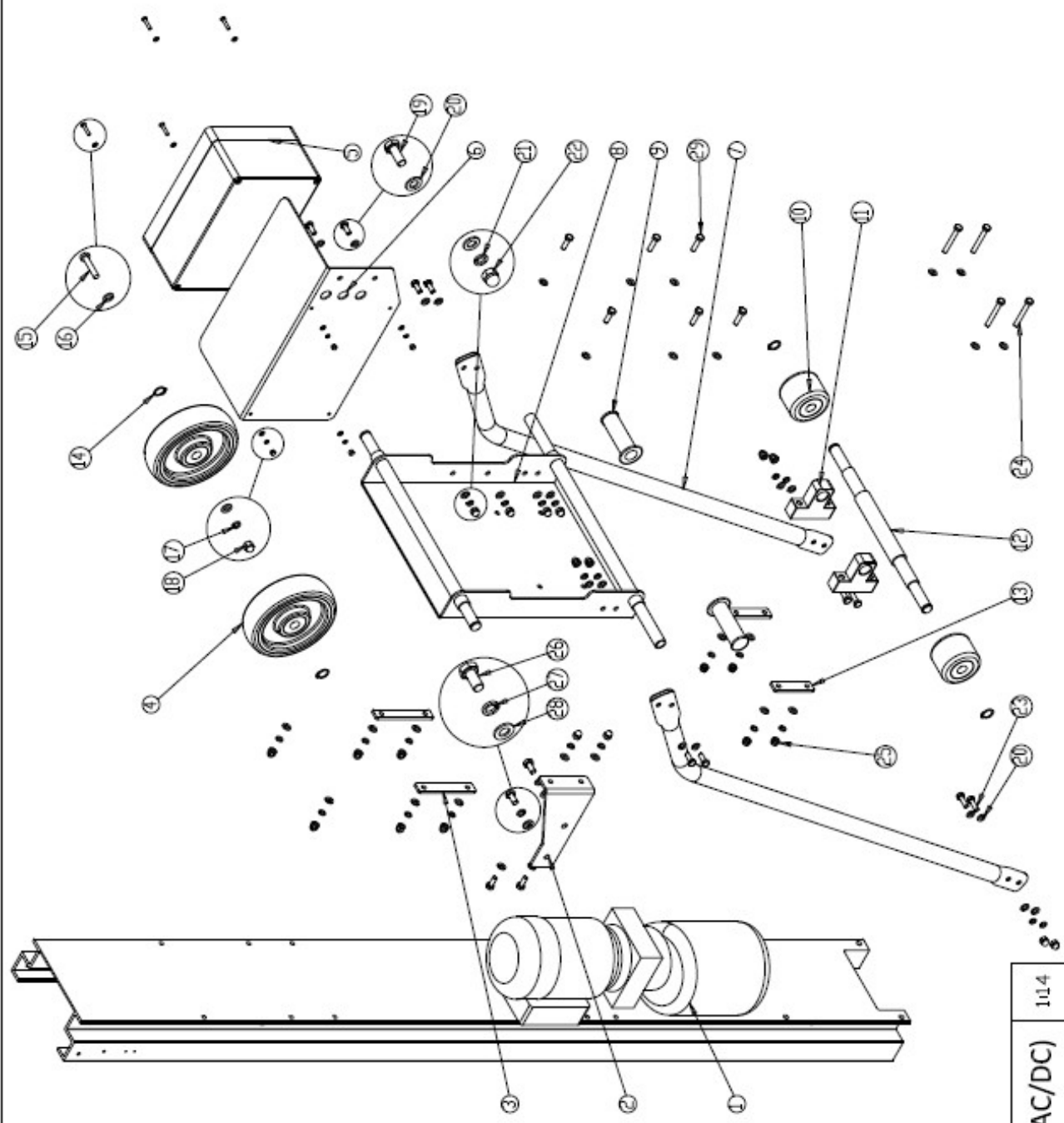
No.	Part Number	Description	Quantity	Remark
1	056067-008	M8 Nut hex	16	
2	056021-008	M8 Spring Washer	24	
3	056069-008	M8 Flat Washer	24	
4	13404-14	Chain tensioner (1)	4	
5	13412	LEAF CHAIN BL422	4	
6	060105-015	Φ5X15 Pin	8	
7	512727-008	M10X8 Counter Sunk Bolt	16	
8	13409-33	Roller Mount Block 1	4	
9	040947-000	φ47 Snap ring	8	
10	6204	6204 BRG	8	
11	13404-10	Wheel2	4	
12	13404-19	ROLLER Shaft	4	
13	13409-35	Separate Ring 1	2	
14	13404-12	Chain Anchor	4	
15	058503-020	M8X20 Hex Bolt	16	
16	13404-20	Roller Mount Block	4	
17	13409-36	Separate Ring 2	1	
18	13413	LEAF CHAIN BL444	2	
19	060105-055	Φ5X55 Pin	1	
20	13405-7	CHAIN BLOCK	1	
21	13404-11	Chain Anchor 1	2	
22	058502-016	M6X16 Socket Head Bolt	1	
23	060105-025	Φ5X25 Pin	8	
24	514075-000	Chain Tensioner (2)	4	
25				
26				
27				
28				
29				
30				
31				
32				
33				
34				
35				
36				



Steel	1:3
-------	-----

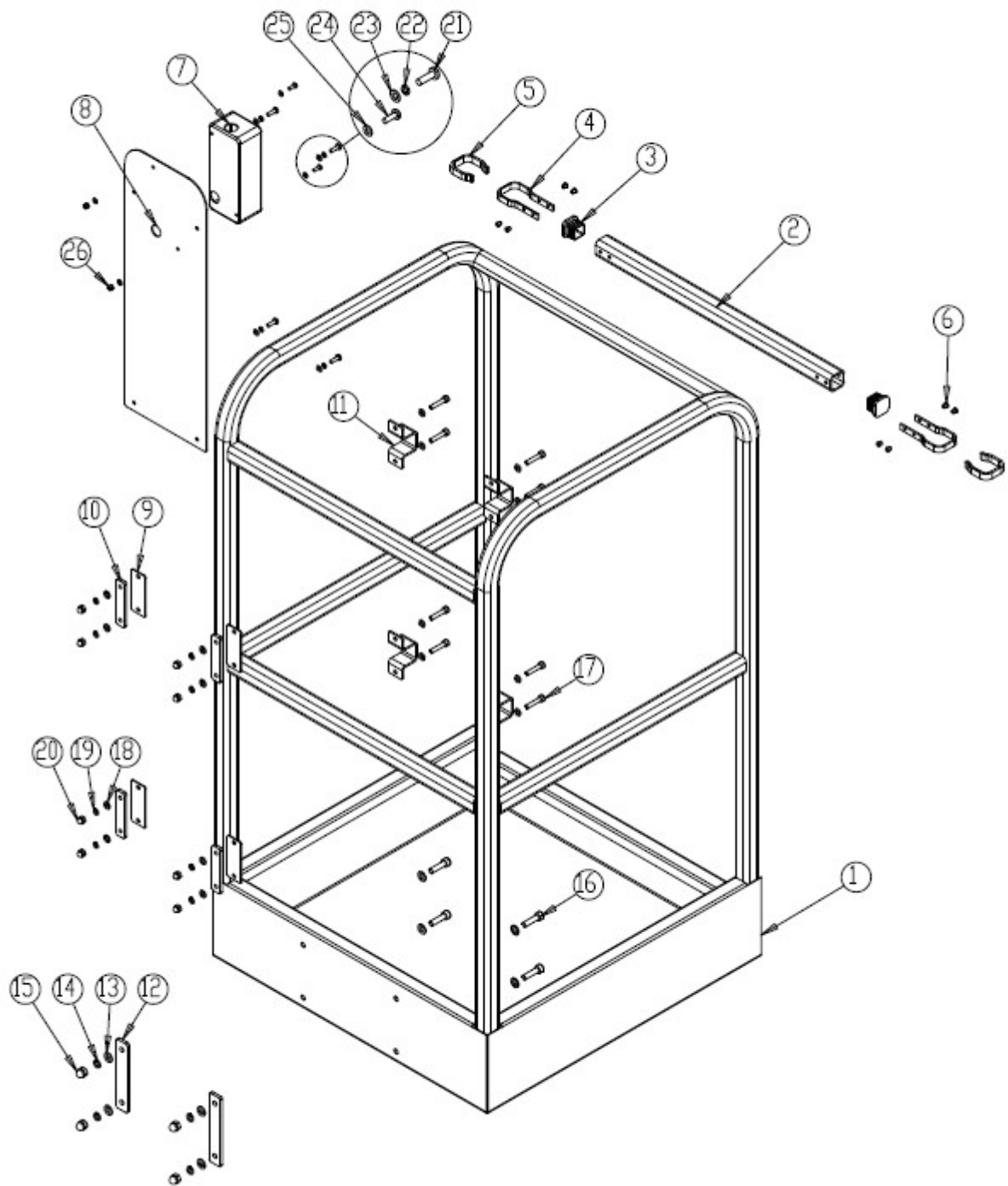
Spare parts For Chain

No.	Part Number	Description	Quantity	Remark
1	13416	Rope Anchor	4	
2	060802-014	Φ2x14 SPLIT PIN	8	
3	13415	Sequence rope	4	
4	060206-022	Φ6x45 Pin	8	
5	13404-24	Wire Rope Sheave	4	
6	056069-006	M6 Flat Washer	12	
7	056067-006	M6 Nut hex	8	
8	056021-006	M6 Spring Washer	12	
9	058510-025	M6X12Counter Sunk Bolt	8	
10				
11				
12				
13				
14				
15				
16				
17				
18				
19				
20				
21				
22				
23				
24				
25				
26				
27				
28				
29				
30				
31				
32				
33				
34				
35				
36				



Spare parts For Mast Support Assembly(AC/DC)

No.	Part Number	Description	Quantity	Remark
1	13477-1	Power Unit(AC)	1	
2	13420AC	Motor fixed plate	1	
3	13420-10	plate4	2	
4	13431	Forklift wheel back	2	
5	13420-17	Lower Control box	1	
6	13420-19	Control installed board installed	1	
7	13421	Bracing tube	2	
8	13420	Block / back Wheel	1	
9	062843-001	Rubber sleeve	2	
10	13432	Forklift wheel front	2	
11	13420-6	Auxiliary Axle Block	2	
12	13420-5	Back Axle	1	
13	13420-9	plate3	2	
14	5592007	Snap ring	4	
15	513860-018	M5X18 Capscrew socket flat head	4	
16	056021-005	M5 Flat Washer	8	
17	056021-005	M5 Spring Washer	4	
18	512346-005	M5 acorn nut	4	
19	056059-020	M8X20 Hex Bolt	2	
20	056069-008	M8 Flat Washer	44	
21	056021-008	M8 Spring Washer	22	
22	512346-008	M8 Lid nut	18	
23	056059-025	M8X25 Hex Bolt	12	
24	056059-065	M8X65 Hex Bolt	4	
25	056064-008	M8 NYLOCK NUT	4	
26	056060-015	M10X15 Hex Bolt	2	
27	056069-010	M10 Flat Washer	2	
28	056021-010	M10 Spring Washer	2	
29	056058-030	M8X30 Hex Bolt	4	
30				
31				
32				
33				
34				
35				
36				

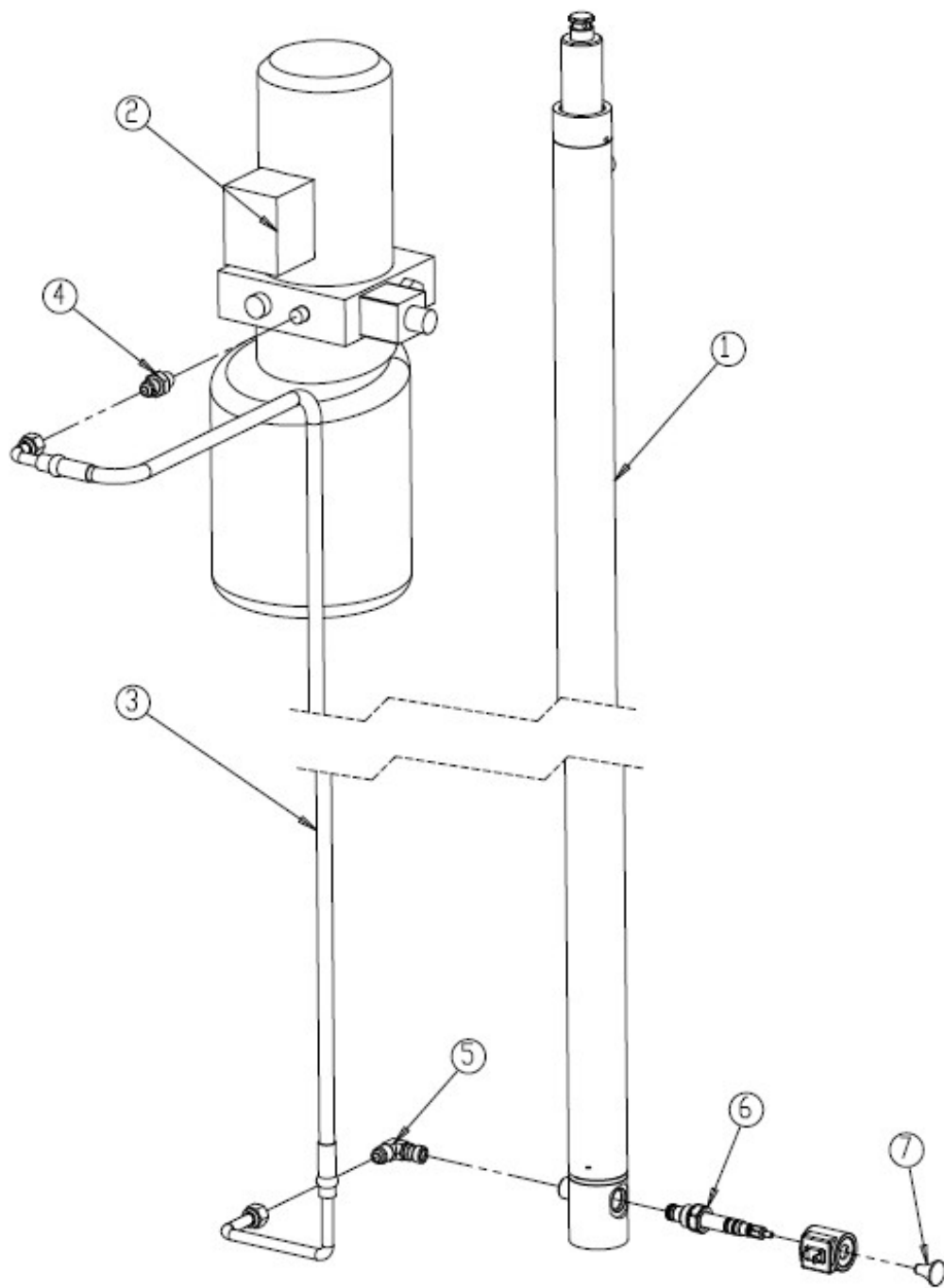


Platform and Guardrail

1:8

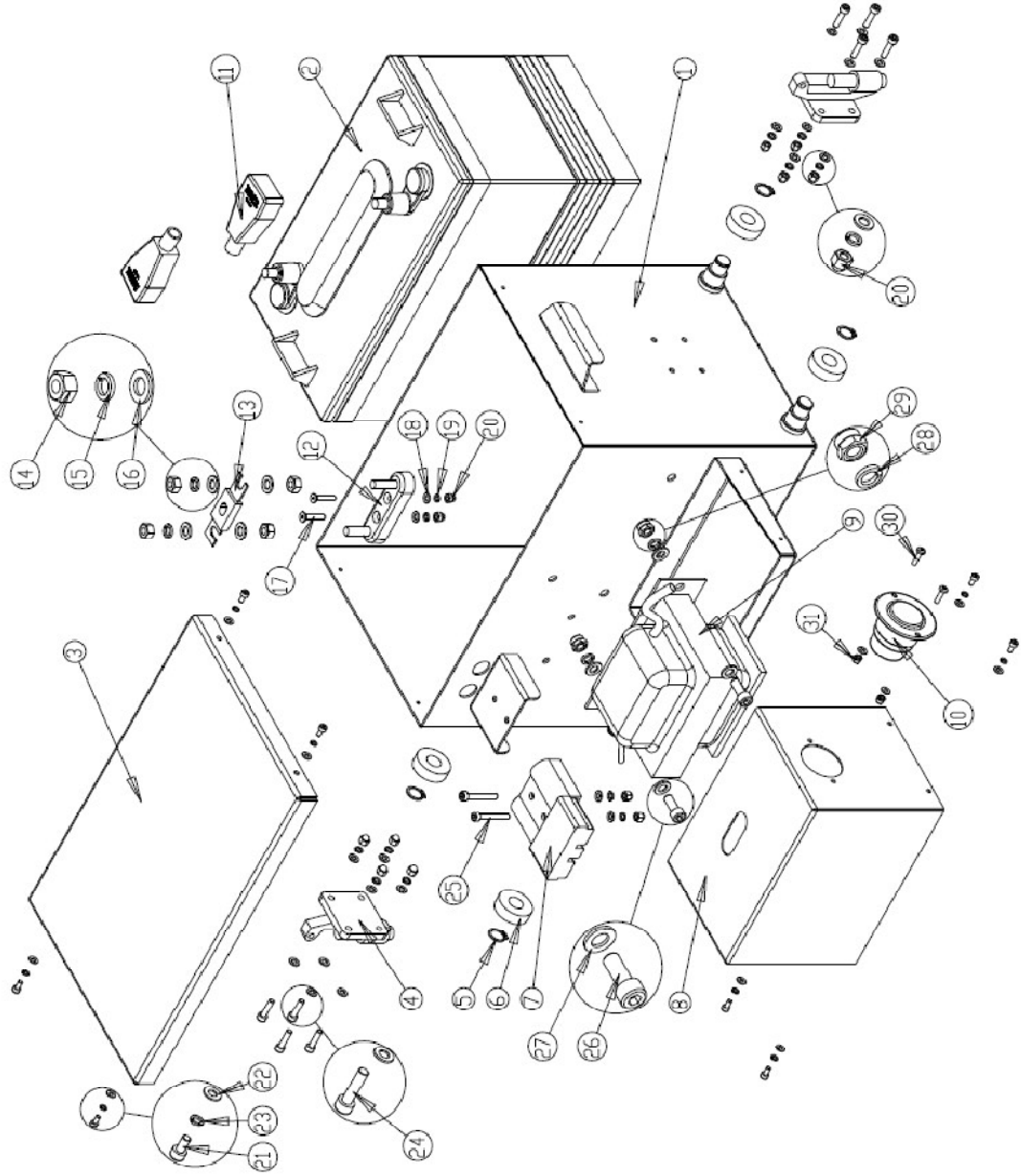
Spare parts For Platfrom and Guardrail

No.	Part Number	Description	Quantity	Remark
1	13406	Platform assembly	1	
2	13408-1	Door railings	1	
3	13408-4	plastic cap	2	
4	13408-2	Bracket	2	
5	13408-3	Plastic jacketed	2	
6	000562-000	Rivet	8	
7	062799-011	Enclosure Tele	1	
8	13422-6	Mounting plate of upper control box	1	
9	13422-3	Plate	4	
10	13422-4	Plate 1	4	
11	13422-1	Fixed curved pieces	4	
12	13422-5	Plate2	2	
13	056069-008	M8 Flat Washer	8	
14	056021-008	M8 Spring Washer	4	
15	056066-008	M8 NYLOCK NUT	4	
16	058503-030	M8X30 Socket Head Bolt	4	
17	058491-035	M6X35 Socket Head Bolt	8	
18	056069-006	M6 Flat Washer	16	
19	056021-006	M6 Spring Washer	8	
20	512346-006	M6 acorn nut	8	
21	058500-018	M5X18 Capscrew socket flat head	4	
22	056069-005	M5 Flat Washer	4	
23	056021-005	M5 Spring Washer	4	
24	058500-012	M4X12 Capscrew socket flat head	2	
25	056069-004	M4 Flat Washer	4	
26	056066-006	M4 NYLOCK NUT	2	
27				
28				
29				
30				
31				
32				
33				
34				
35				
36				



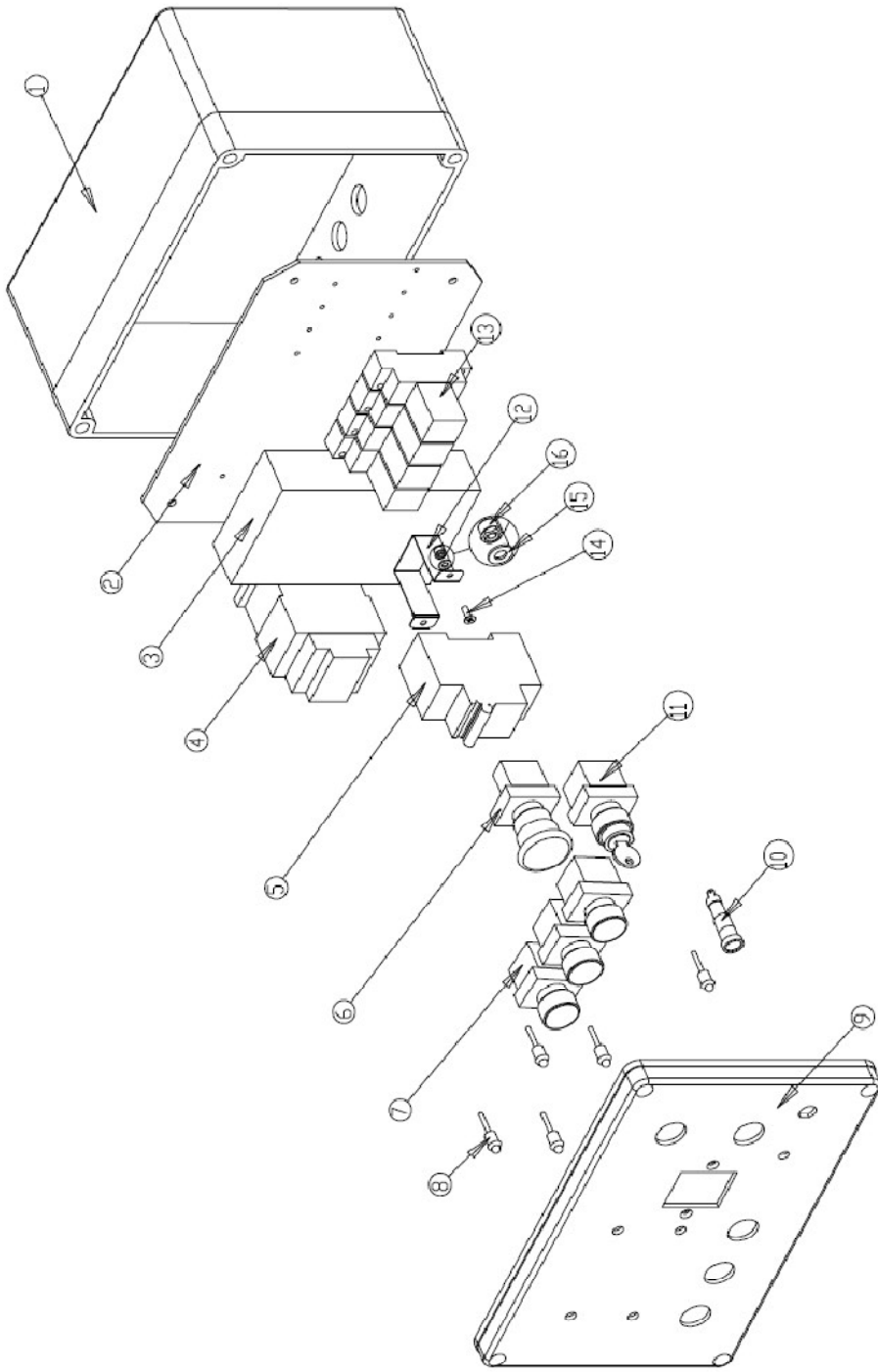
Spare parts For Control System

No.	Part Number	Description	Quantity	Remark
1	13405	Cylinder		
2	13477-1/13477-2	Power Unit(AC/DC)	1	
3	13477-3	Tubing		
4	7013-006	Connector	1	
5	7013-001	6# right-angle tie-in	1	
6	13446	solenoid valve	1	
7	513286-000	Mushrooms head shank	1	
8				
9				
10				
11				
12				
13				
14				
15				
16				
17				
18				
19				
20				
21				
22				
23				
24				
25				
26				
27				
28				
29				
30				
31				
32				
33				
34				
35				
36				



Spare parts For Hydraulic System

No.	Part Number	Description	Quantity	Remark
1	13407	Battery box	1	
2	062299-001	BATT SEIBERT P27M-DC	1	
3	13407-2	Battery box cover	1	
4	3449	Rapid chuck 304C	2	
5	041015-000	φ15 Snap ring	4	
6	6202	6202 BRG	4	
7	029902-000	CONNECTOR 175AMP	1	
8	13407-10	Charger cover	1	
9	069199-001	CHARGER BATT220V	1	
10	029961-002	PLUG INLET FLG FM SE	1	
11	010154-000	COVER BATT TERM SEE	2	
12	13400-005	Fuse Block CR3-9	1	
13	13400-014	Fuse CNN-200A	1	
14	056067-008	M8 Nut hex	4	
15	056021-008	M8 Spring Washer	2	
16	056069-008	M8 Flat Washer	4	
17	513876-025	M5X25 Counter Sunk Bolt	2	
18	056069-005	M5 Flat Washer	20	
19	056021-005	M5 Spring Washer	12	
20	056066-005	M5 NYLOCK NUT	12	
21	058500-008	M4X8 Socket Head Bolt	8	
22	056021-004	M4 Flat Washer	10	
23	056021-004	M4 Spring Washer	8	
24	058501-020	M5X20 Socket Head Bolt	8	
25	058504-035	M5X35 Socket Head Bolt	2	
26	020708-020	Socket Head Bolt	2	
27	056069-008	M8 Flat Washer	4	
28	056021-008	M8 Spring Washer	2	
29	512346-008	M8 acorn nut	2	
30	058500-018	M4X18 Capscrew socket flat head	2	
31	056066-004	M4 NYLOCK NUT	2	
32				
33				
34				
35				
36				



Spare parts For Electrical Cabinet

No.	Part Number	Description	Quantity	Remark
1	13420-15	Control box	1	
2	13420-14	Installtion Panel	1	
3	13400-017	Power Supply	1	
4	13400-016	AC contactor LC1-D12JD	1	
5	13400-015	Breaker C32N-2P-16A	1	AC
6	510524-000	Button TWIST TO RELEASE	1	
7	510542-000	Button Black	3	
8	067991-000	Indicator	5	
9	13479-26E / 13479-27E	panel(AC / DC)	1	
10	13400-020	Fuse 6.0MM*30MM 16A	1	DC
10	13400-14	Fuse 6.0MM*30MM 5A	1	AC
11	512543-000	Key switch	1	
12	13420-30	Switch Seat	1	AC
13	13400-006	Intermediate relay	4	
14	058500-010	M4X10Counter Sunk Bolt	2	DC
15	056069-004	M4 Flat Washer	2	DC
16	056066-004	M4 NYLOCK NUT	2	DC
17				
18				
19				
20				
21				
22				
23				
24				
25				
26				
27				
28				
29				
30				
31				
32				
33				
34				
35				
36				

**Local Distributor / Lokaler Vertiebshändler / Distributeur local
El Distribuidor local / Il Distributore locale**

**EUROPE, MIDDLE EAST
AFRICA & ASIA**

PHONE: +44 (0) 845 1550 057
FAX: +44 (0) 845 1557 756

NORTH & SOUTH AMERICA

PHONE: +1 785 989 3000
TOLL FREE: +1 800 255 0317
FAX: +1 785 989 3070

AUSTRALIA

PHONE: +61 2 9609 8500
FAX: +61 2 9609 3057

NEW ZEALAND

PHONE: +64 6 3689 168
FAX: +64 6 3689 164



www.snorkellifts.com